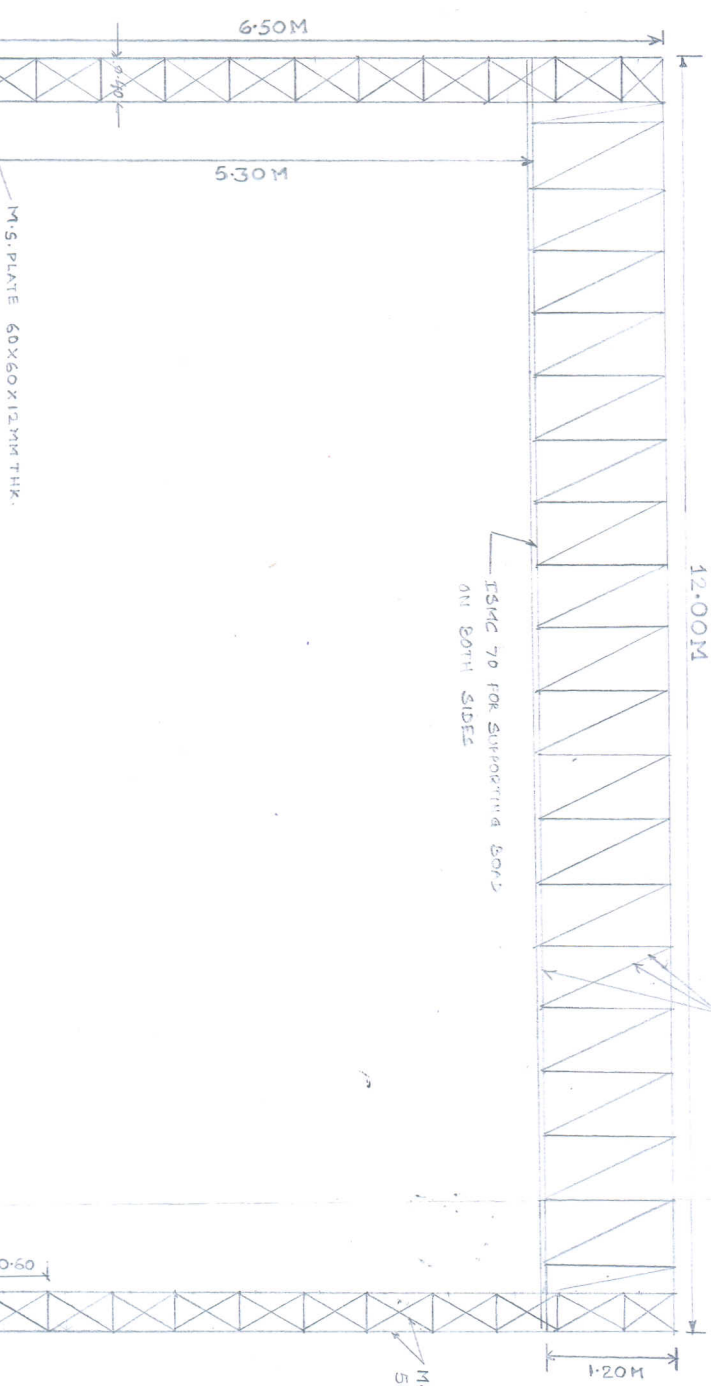
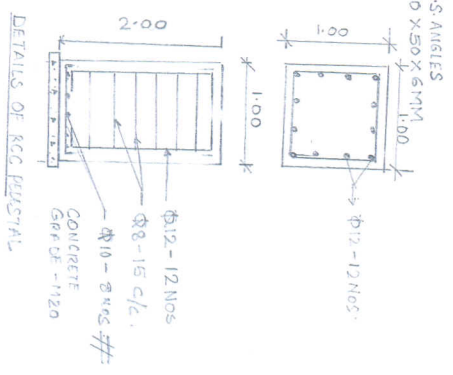
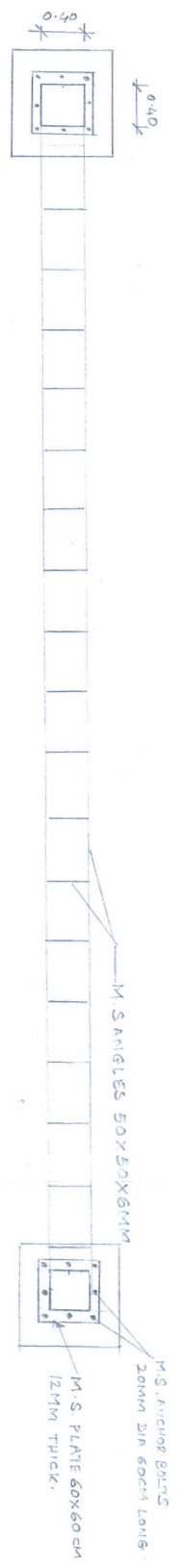


ELEVATION



TOP VIEW



1/20

1/20

P.C.C. (1:3:6) 100MM THK. SOLING 15CM THK

R.C.C. PEDISTAL

G.L.

6.50M

5.30M

M.S. PLATE 60X60X12MM THK.

ISMC 70 FOR SUPPORTING & BOND ON BOTH SIDES

12.00M

M.S. ANGLE - 50X50X6MM

1.20M

M.S. ANGLES 50X50X6MM

M.S. ANGLE BARS 20MM DIA 60CM LONG

M.S. PLATE 60X60X12MM THK.

DETAILS OF R.C.C. PEDISTAL

CONCRETE GRADE - 1120

Φ10 - 8 nos #

Φ8 - 15 c/c.

Φ12 - 12 nos

M.S. ANGLES 50 X 50 X 6MM

Φ12 - 12 nos