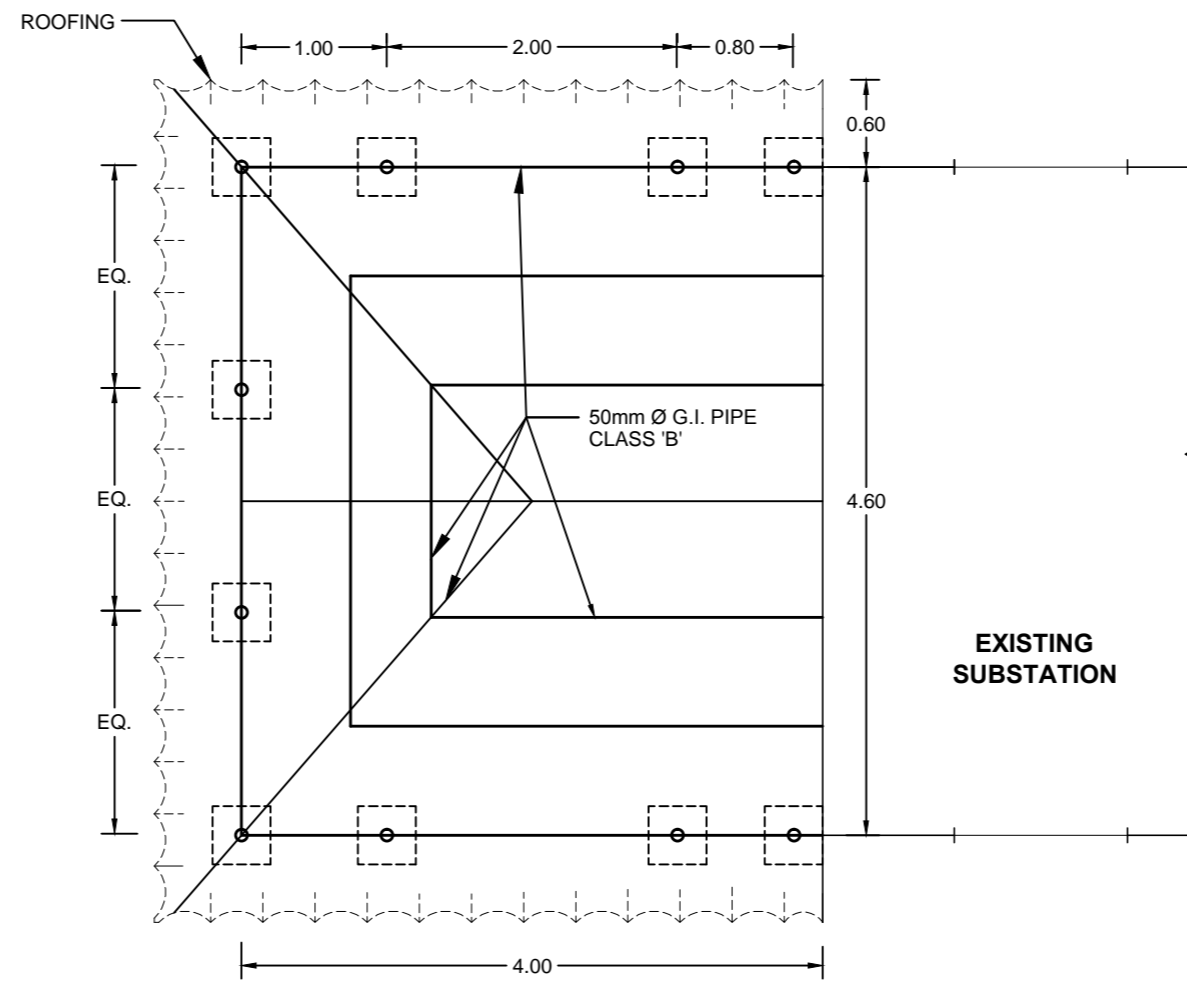
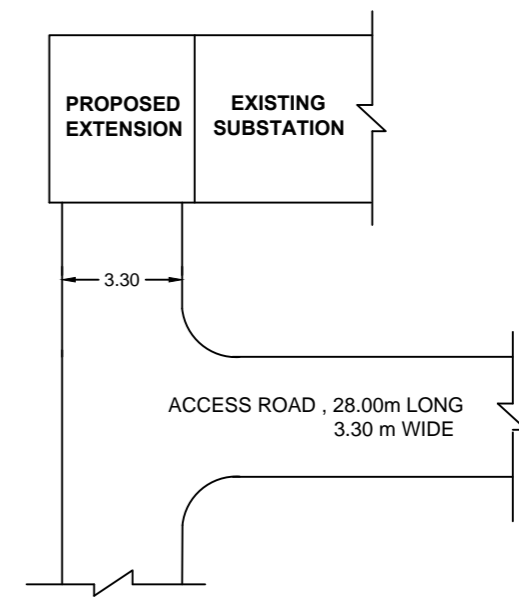


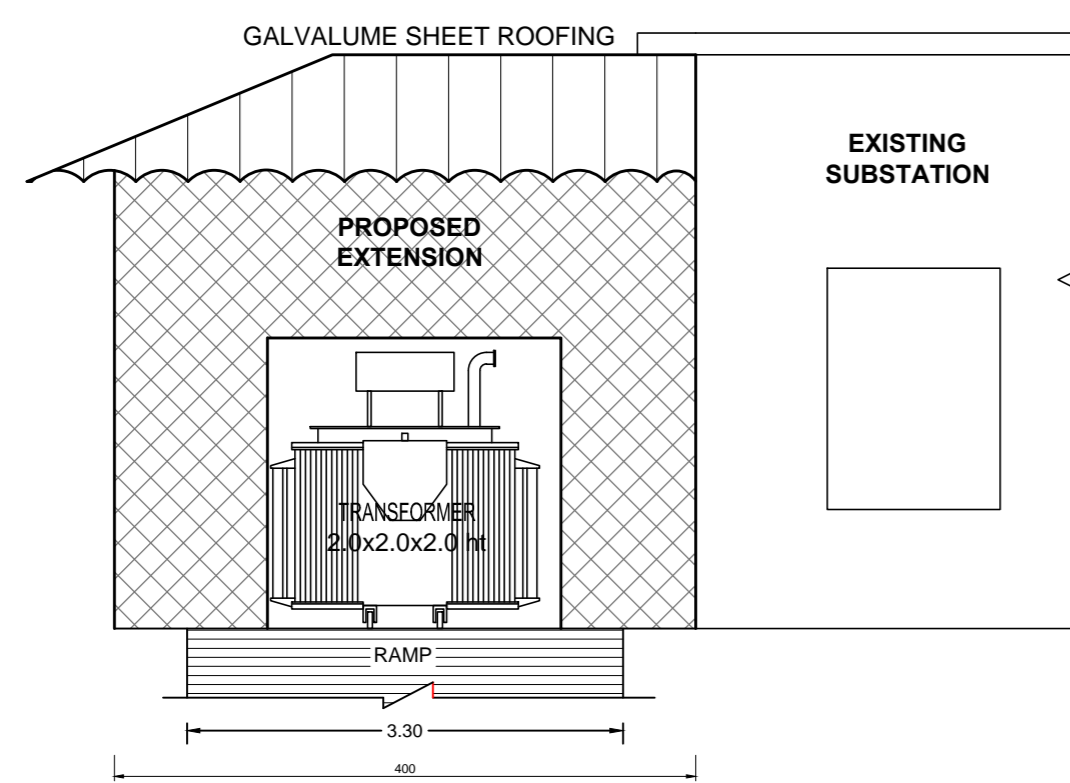
PLAN



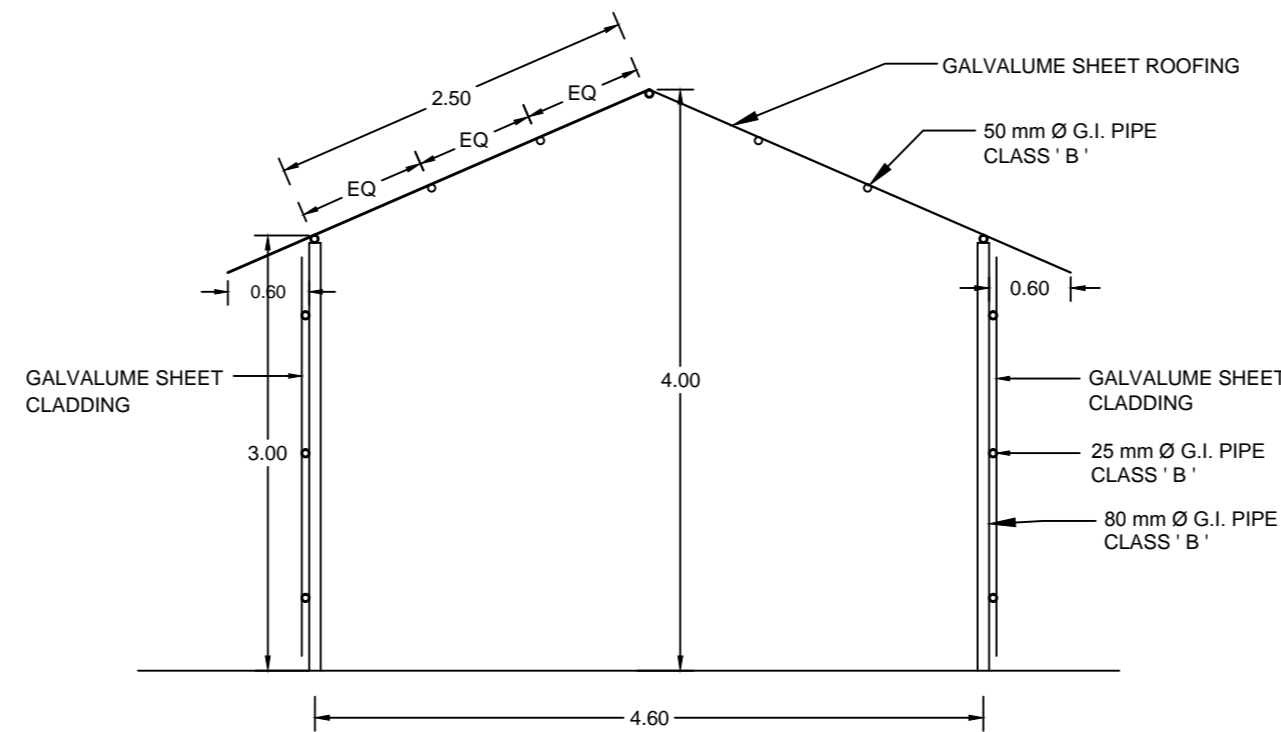
ROOF PLAN



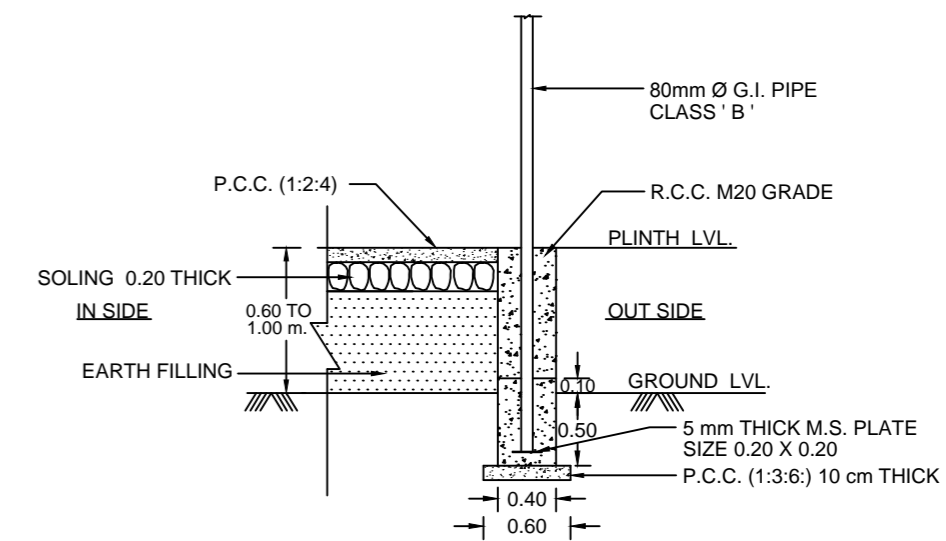
LOCATION PLAN  
(NOT TO SCALE)



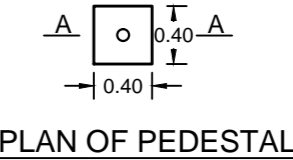
FRONT ELEVATION



SECTIONAL ELEVATION AT C - C

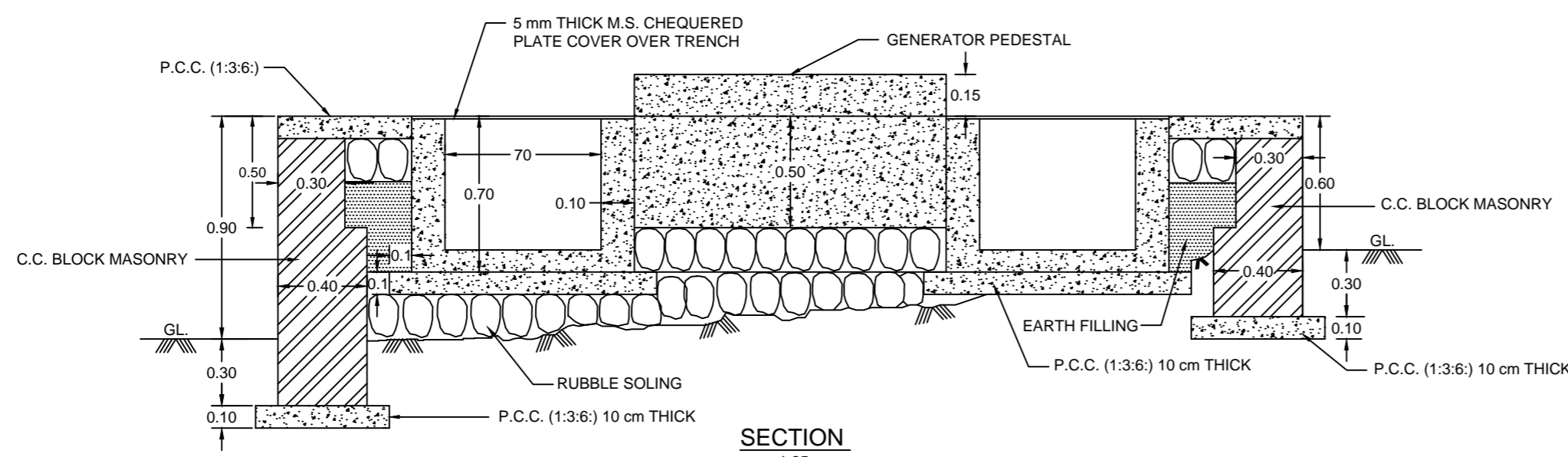


SECTION A-A




PLAN OF PEDESTAL

- NOTE :
1. ALL WRITTEN DIMENSIONS ARE IN METERS UNLESS OTHERWISE SPECIFIED .
  2. CABLE TRENCH TO BE COVERED WITH CHEQUERED PLATE .
  3. NECESSARY EXHAUST FAN PROVISION TO BE MADE .



SECTION  
1:25

SCALE:- 1:25, 1:50		 MORMUGAO PORT TRUST	
REVISION	DATE	DRN :-	
		JE-1 (D) :-	
		AEN (D&D) :-	
		XEN (P-I) :-	
		SE (HL.) :-	
		DY. C.E. :-	
		CHIEF ENGINEER	
PROPOSED EXTENSION AT HEADLAND SUBSTATION TO ACCOMMODATE TRANSFORMER .		DATE :- 14/02/2017	
		DRG. NO :-	